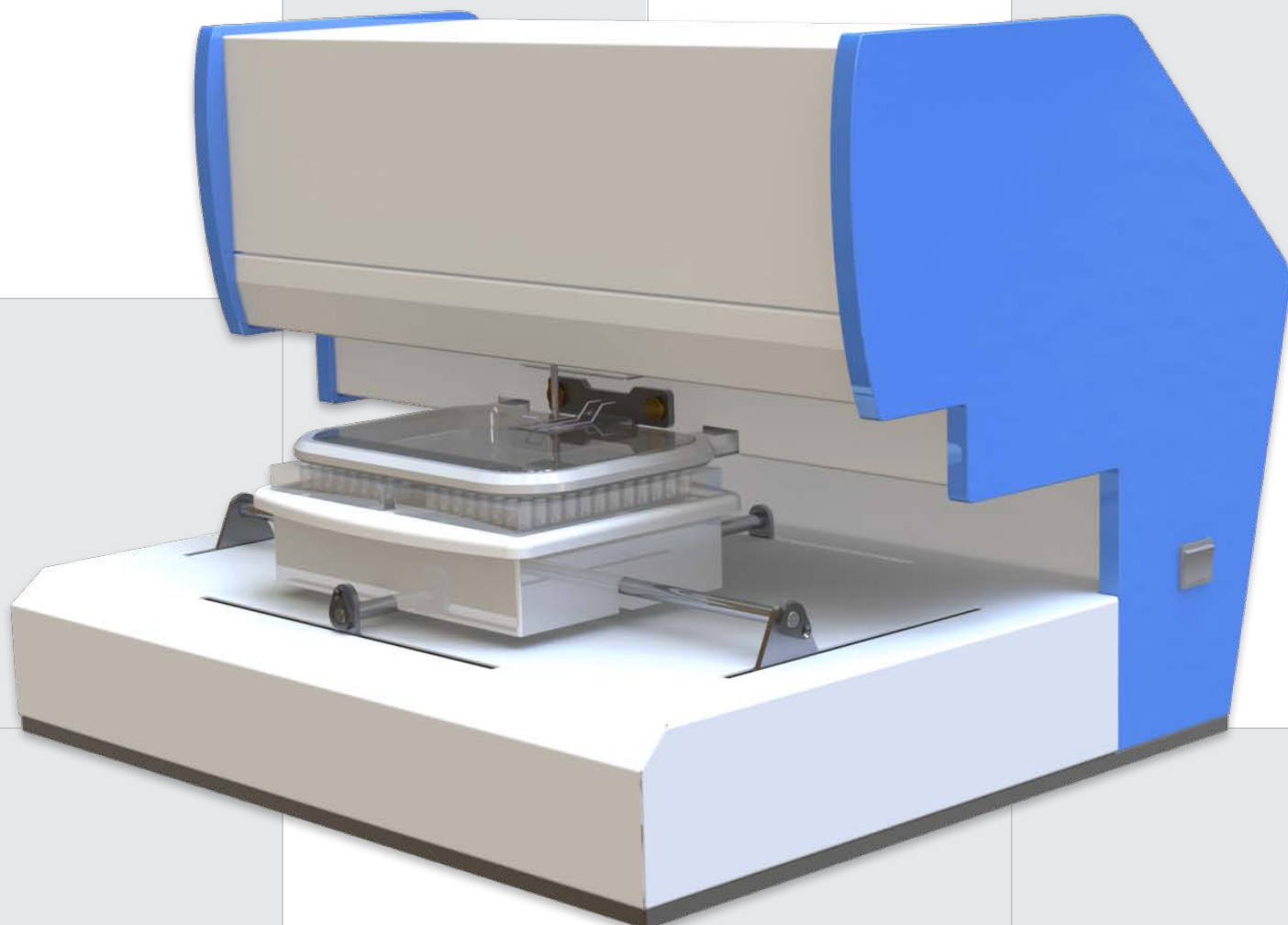


# Auto DXS VI

Dry Matrix Spot DXS Semi-automatic Puncher



**The Puncher is the best solution for high throughput laboratories. It was design and build with five priorities.**

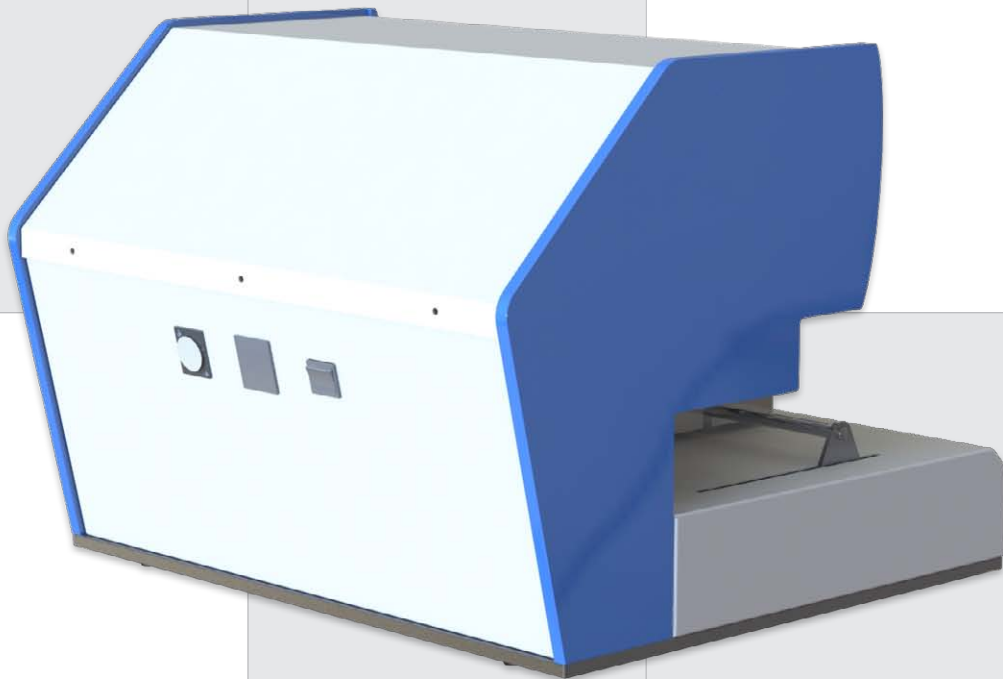
▶ **Error free operation** – the way how the punch and die set are setup and operated ensures that the punched paper always reached the destination well.

▶ **Speed** – the cycle of punching and repositioning of well plate is shorter than 3 second. 96 well plate can be prepared in less than 7 minutes, including scanning of samples.

▶ **Robustness** – the cutting and positioning mechanism was design to ensure high up time and minimize the maintenance needs.

▶ **Ergonomics** – the punching is started by pressing the sample table, the shape of the cover was designed to support wrists. The positing mechanism was designed to assure almost noiseless operation.





**Tray capacity:**

Two sample bays, capable of accommodating 2 standard microtiter (96-well) trays, deep-well plates.

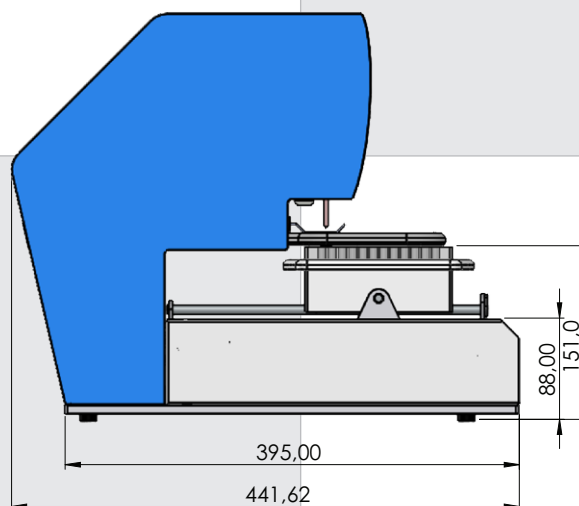
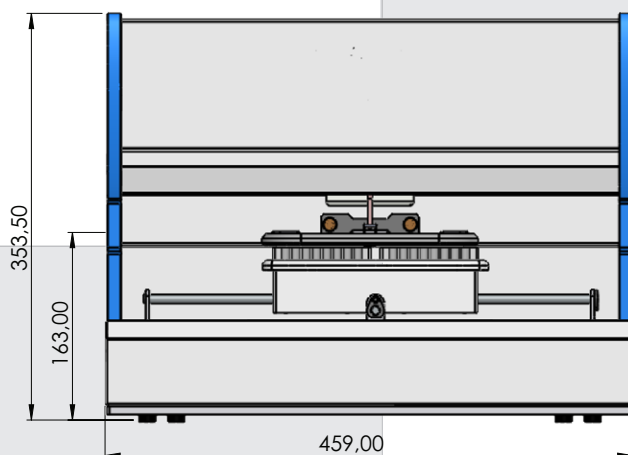
**Punch size:** can be customize from 1,6 mm up to 6 mm

**Power requirements:** 210–240 V (general purpose electrical outlet).

**Punch activation:** Auto-trigger system by pressing the sample table.

**Computer software:** works on different Windows platform, can be coupled with LIMS system

Dry matrix spot application becoming more and more popular. The main reasons for the increased interested in this application is the easy way of collecting and sending the sample and easy procedure of sample preparation in analytical process. The key point is efficient way of punching the sample.



Auto DXS VI is semi-automatic puncher which is supposed to work with different kind of samples collected on filter paper. It was designed to work with DBS (dry blood spot), DUS (Dry urine spot) and DSS (Dry Saliva Spot).